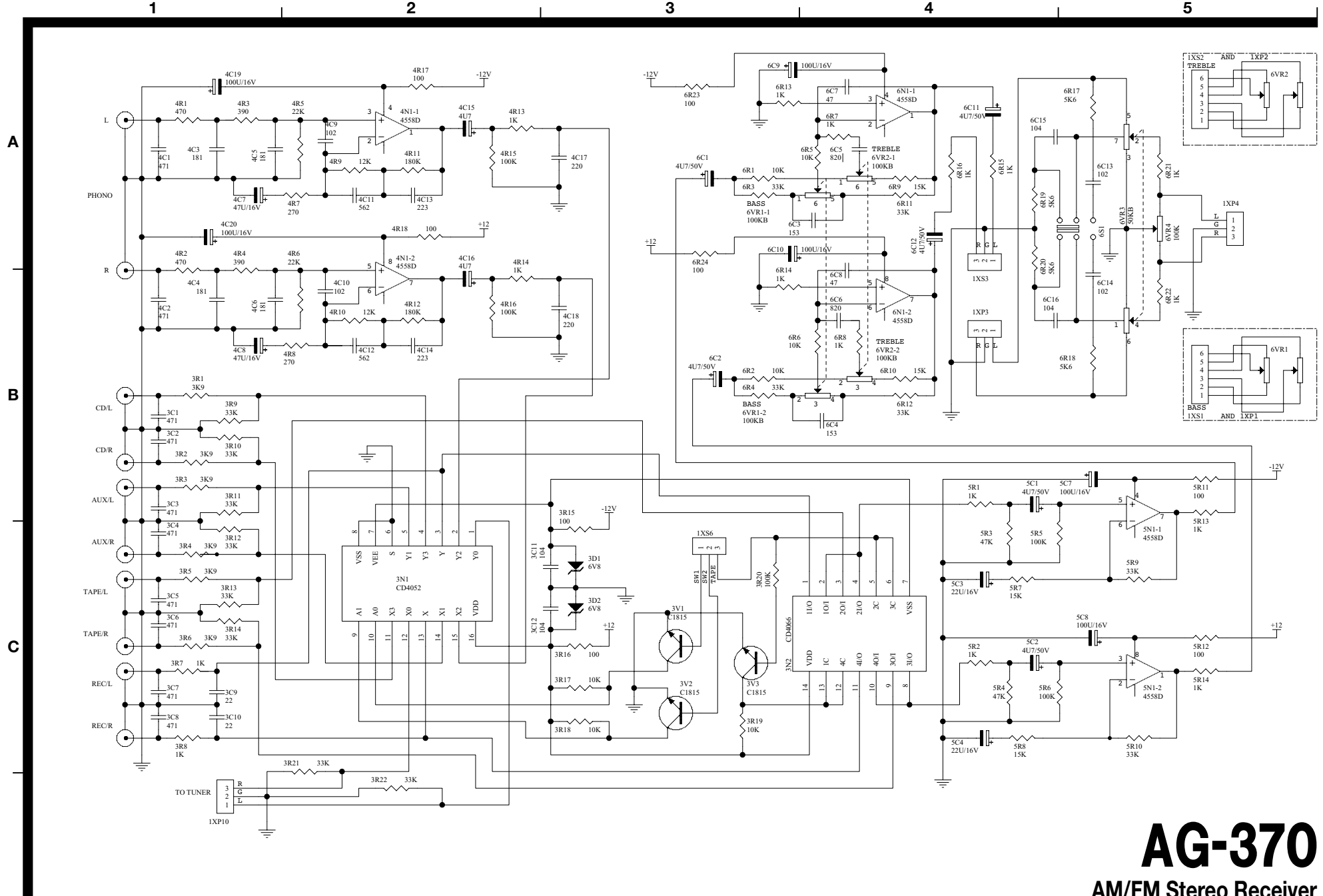


# TEAC SCHEMATIC DIAGRAM AG-370 MAIN PCB (1/2)

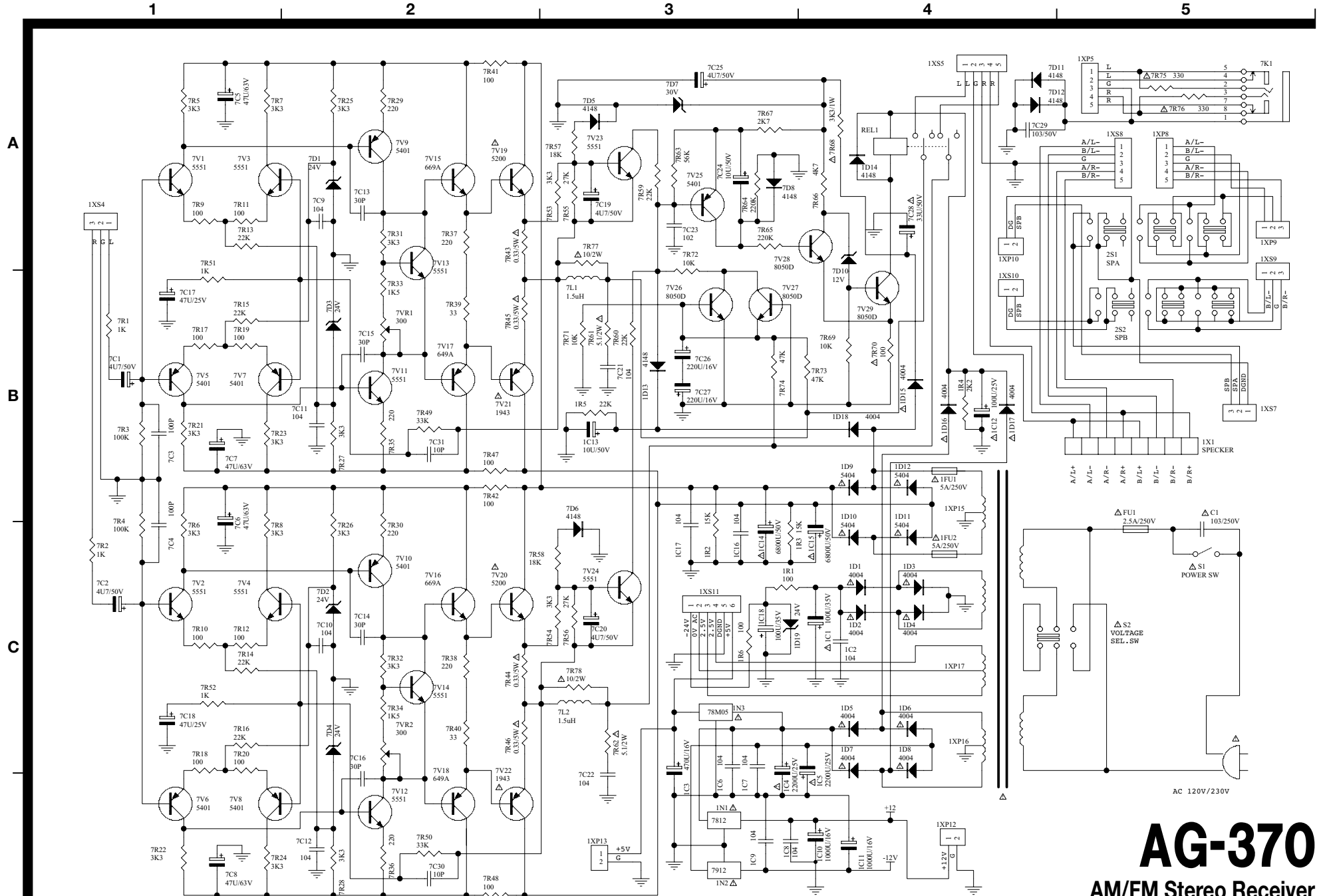


# AG-370

AM/FM Stereo Receiver

1st Issue; January 2003

# TEAC SCHEMATIC DIAGRAM AG-370 MAIN PCB (2/2), HEADPHONE PCB, SP SEL PCB, POWER PCB, POW SEL PCB



# AG-370

AM/FM Stereo Receiver

1st Issue; January 2003

# TEAC SCHEMATIC DIAGRAM AG-370 TUNER PCB

1

2

3

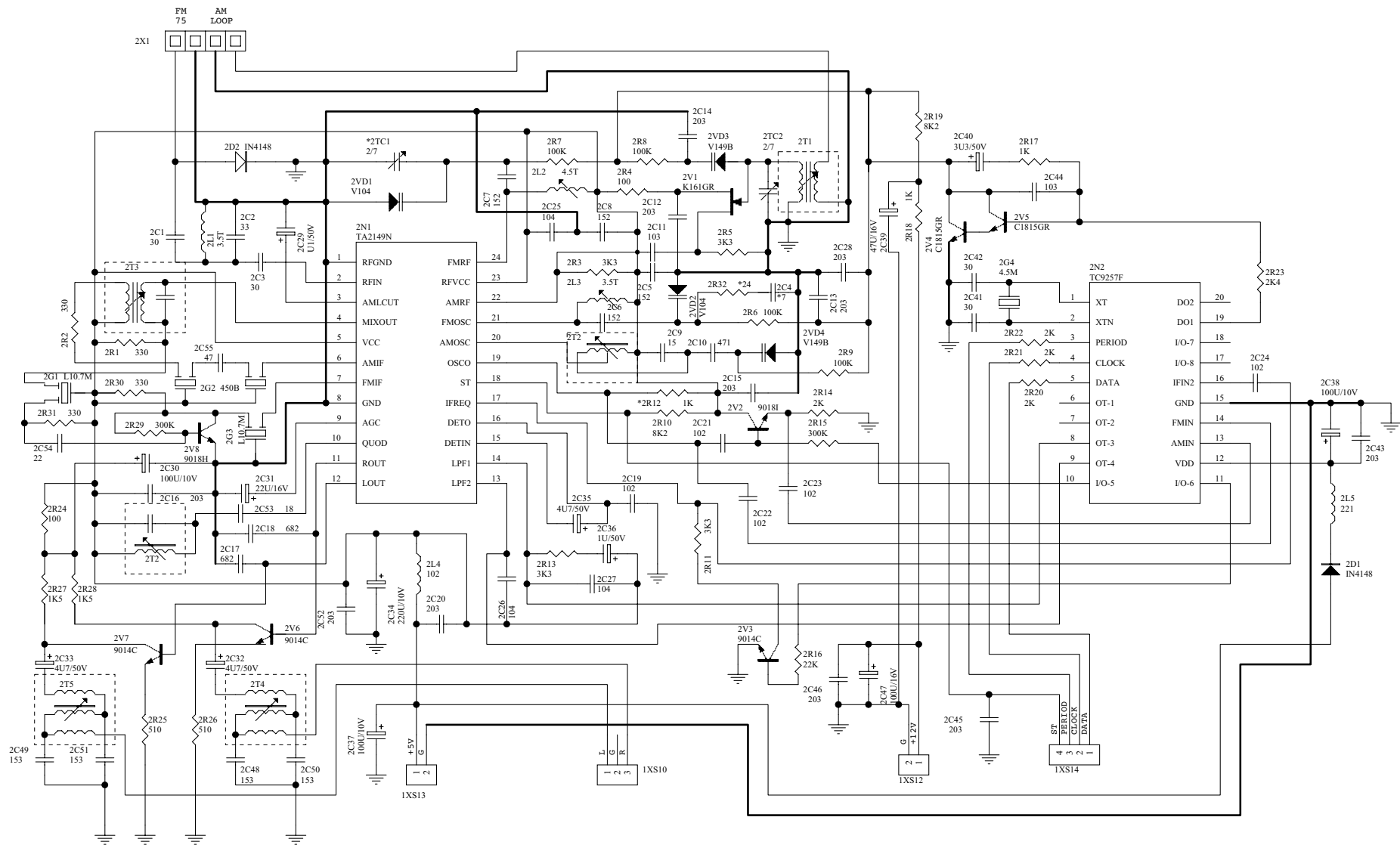
4

5

A

B

C

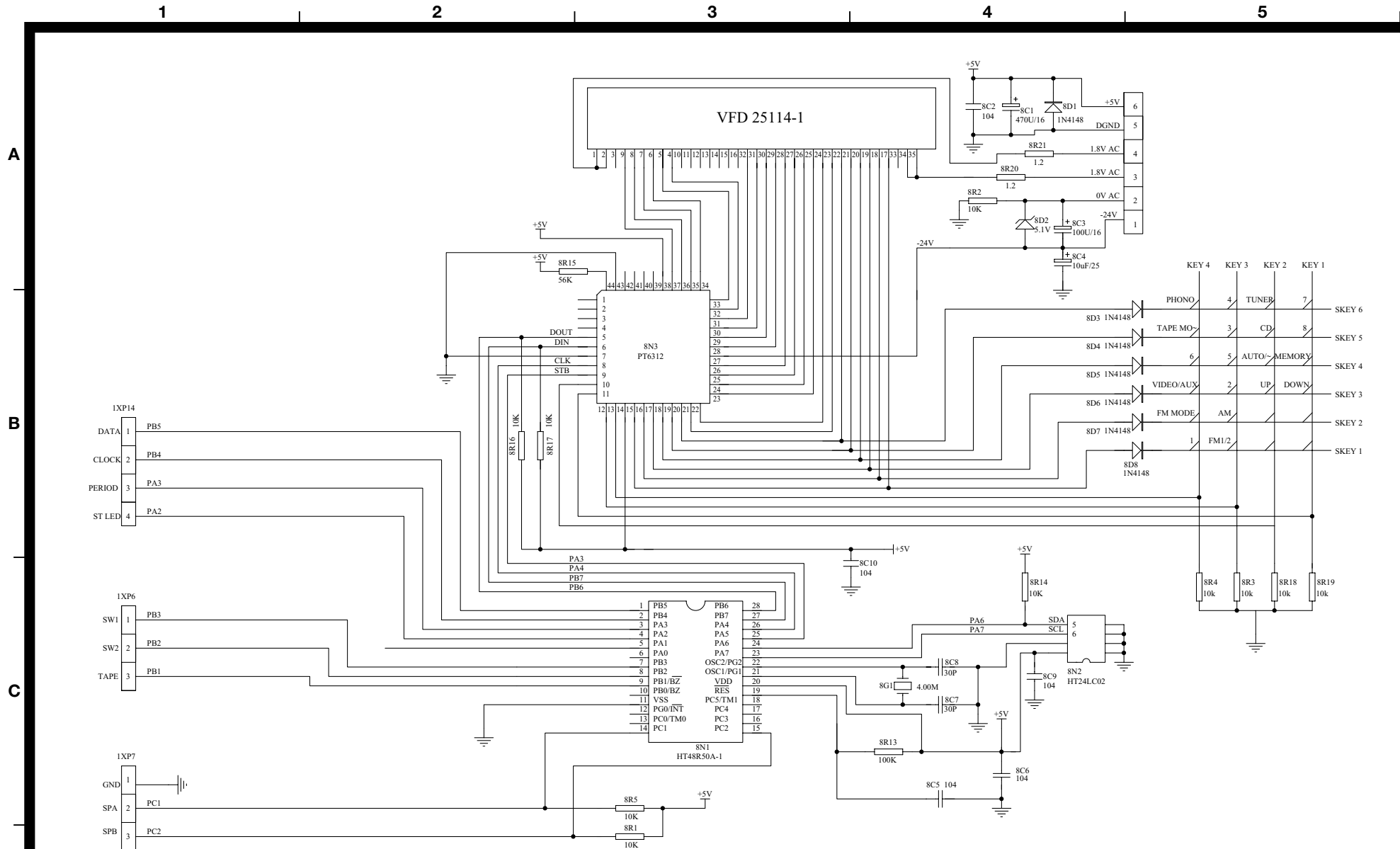


# AG-370

AM/FM Stereo Receiver

1st Issue; January 2003

# TEAC SCHEMATIC DIAGRAM AG-370 FRONT PCB



A

B

C

**INSTRUCTIONS FOR SERVICE PERSONNEL**  
**BEFORE RETURNING APPLIANCE TO THE CUSTOMER, MAKE LEAKAGE-CURRENT OR RESISTANCE MEASUREMENTS TO DETERMINE THAT EXPOSED PARTS ARE ACCEPTABLY INSULATED FROM THE SUPPLY CIRCUIT.**

**NOTES:**  
 △ Parts marked with this sign are safety critical components. They must always be replaced with identical components-refer to the appropriate parts list and ensure exact replacement.

**AG-370**  
**AM/FM Stereo Receiver**  
 1st Issue; January 2003